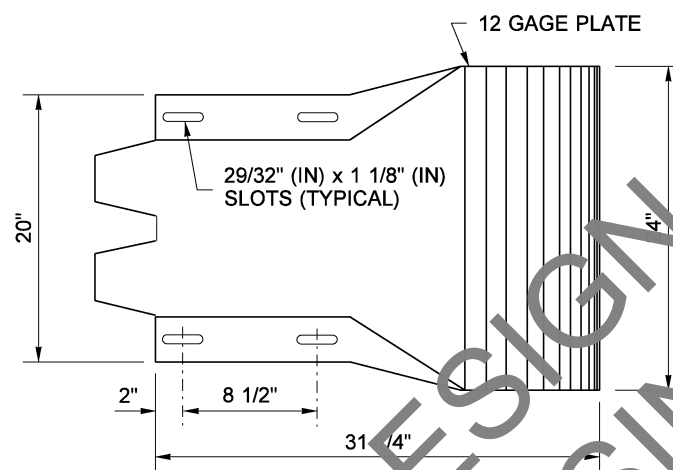
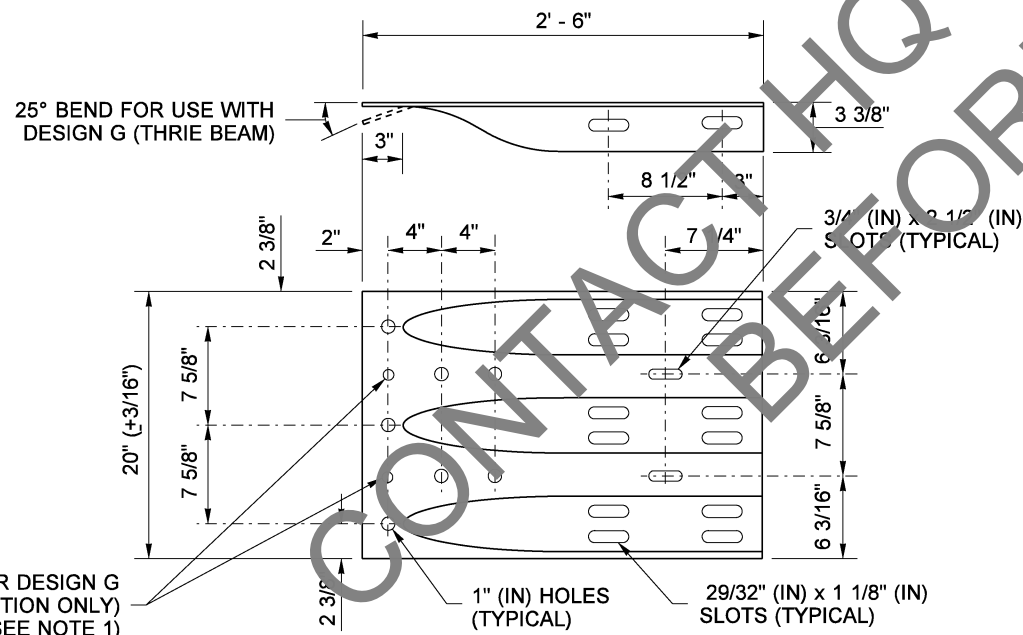
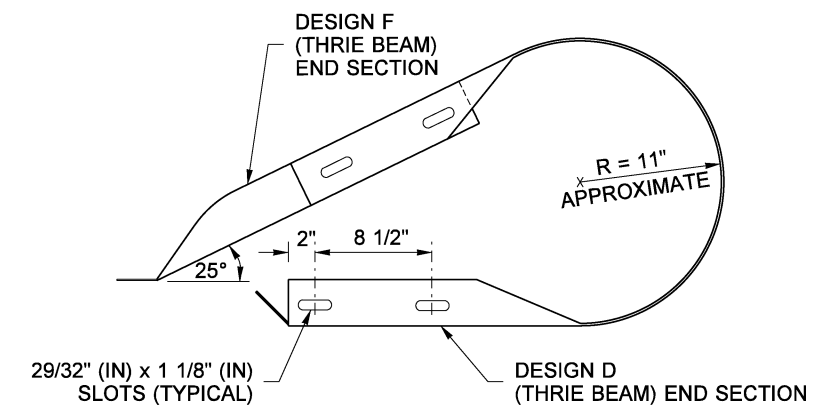


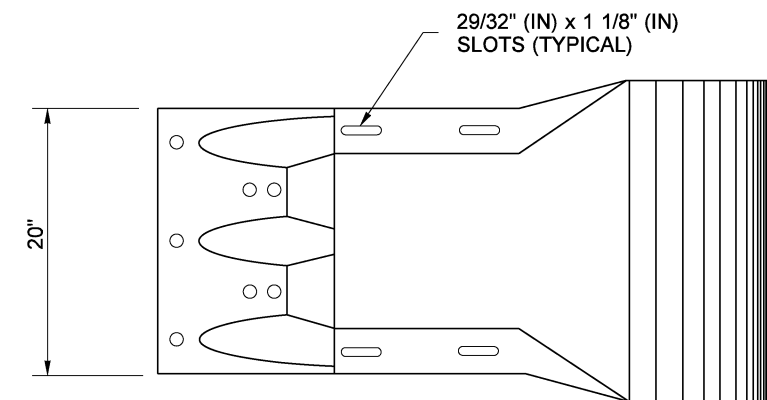
**DESIGN C
(THRIE BEAM)**



**DESIGN D
(THRIE BEAM)**



**DESIGN F
(THRIE BEAM)**



**DESIGN G
(THRIE BEAM)**

NOTES

1. Attach guardrail to bridge rail or concrete barrier with 7/8" (in) diameter bolts (five minimum) **Standard Specification Section 9-06.5(4)**, with thin slab ferrule inserts or resin bonded anchors. See the Contract Plans.
2. In cases where Design F End Section is lapped on the outside of the guardrail, a galvanized 1" ID, 2" (in) OD, 0.134" (in) thick, narrow Type A Plain Washer or anchor rail washer will be placed under the splice bolt heads.

FILE NAME S:\Design R P& S\4-Standards\2-Plan Sheet Library\04-PSL Work in Progress\Std Plan Convert to PSL 2022\TB (c-plans) for 2022\TB-124 (c)al.dgn

TIME 11:44:51 AM
 DATE 6/30/2022
 PLOTTED BY liddelf
 DESIGNED BY
 ENTERED BY
 CHECKED BY
 PROJ. ENGR.
 REGIONAL ADM.

REVISION	DATE	BY

REGION NO.	STATE	FED. AID PROJ. NO.
10	WASH	
JOB NUMBER		
CONTRACT NO.	LOCATION NO.	

P.E. STAMP BOX DATE

P.E. STAMP BOX DATE



**THRIE BEAM
END SECTIONS**

TB-124

SHEET
1
OF
1
SHEETS