

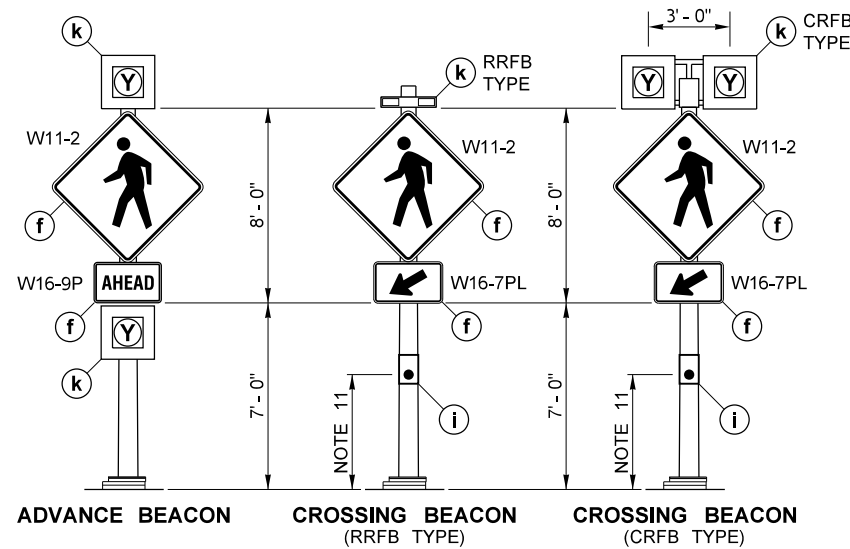
SIGNAL STANDARD IDENTIFICATION TAG DETAIL

STD. NO. XX	STANDARD NO.	STD. NO. 02
SRXXX MP XXX.XX	ROUTE AND MILEPOST NO.	SR97 MP 071.24
MANUFACTURER	MANUFACTURER	POLEMAKER
(DWG.) NO. XXXXXX	APPROVED DRAWING NO.	(DWG.) AB12345
FAB. XX/XX/XXXX	FABRICATION DATE	FAB. 4/1/2017

EXAMPLE

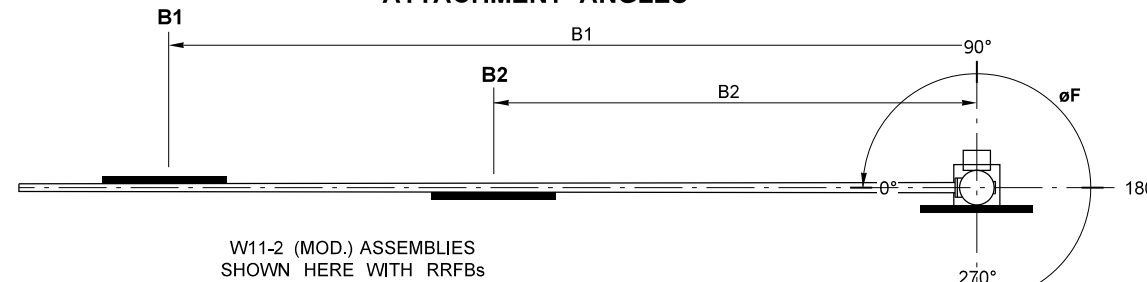
CIRCULAR SIGNAL DISPLAY MOUNT TYPES	LOCATION	CONFIGURATION	TYPE	STD. PLAN
POLE TOP	SINGLE	D	J-75.10	
	DOUBLE	F		
POLE SIDE	SINGLE	K		
	DOUBLE	H		
OVERHEAD	SEE DETAIL			

SIGN CODE	SIGN SIZE		SHEETING TYPE
	≤ 35 MPH	≥ 40 MPH	
W11-2 (MOD.)	54 x 60		IX OR XI
W11-2	36 x 36	48 x 48	
W16-7PL	18 x 36	18 x 36	III OR IV
W16-9P	18 x 36	18 x 36	

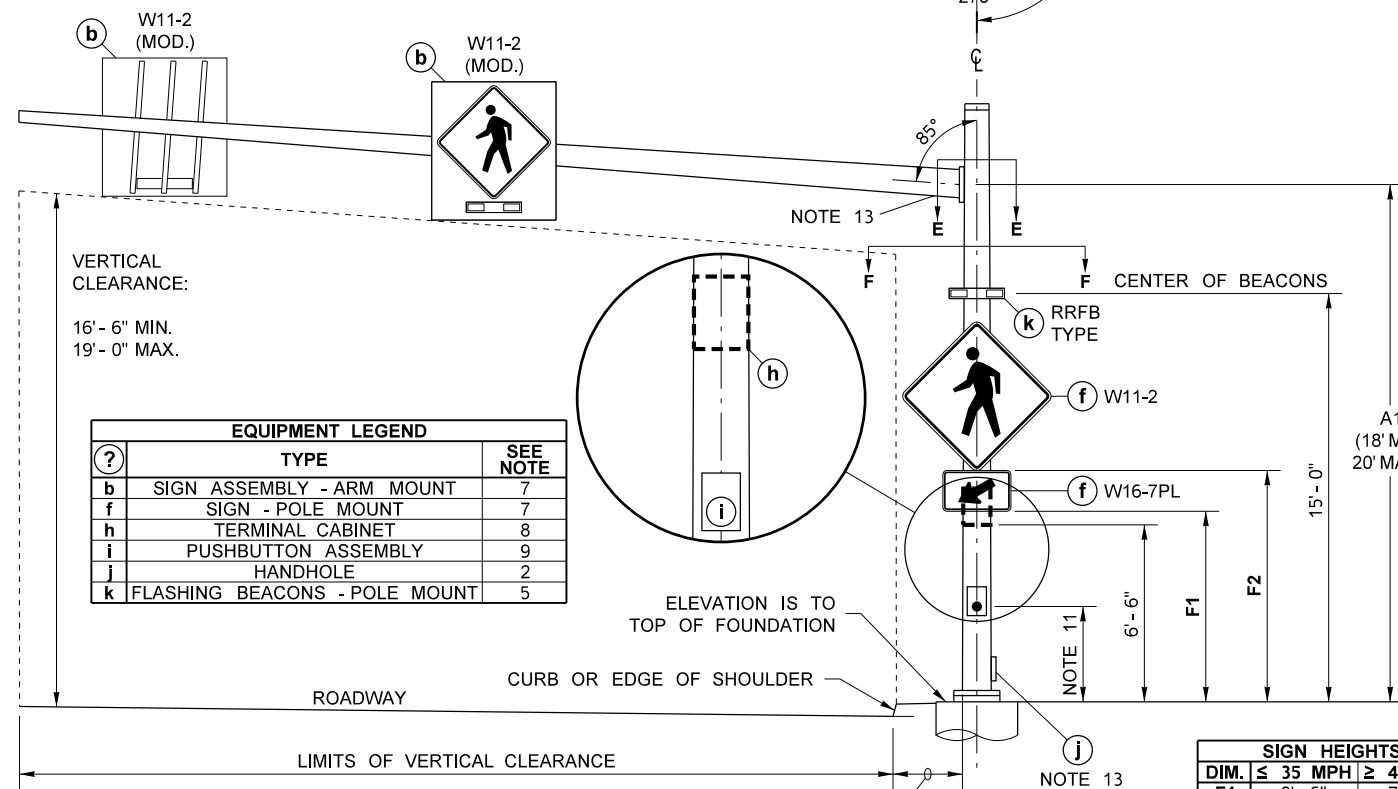


TYPE FB SIGNAL STANDARDS
(SEE SHEET IS-22 FOR ADDITIONAL DETAILS)

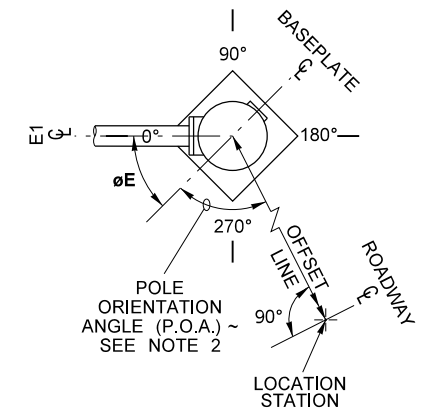
EQUIPMENT OFFSETS AND ATTACHMENT ANGLES



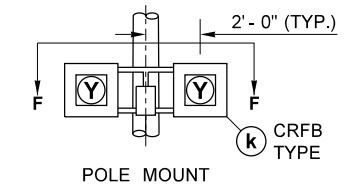
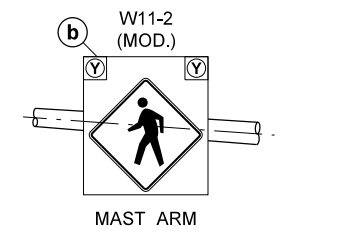
W11-2 (MOD.) ASSEMBLIES SHOWN HERE WITH RRFBs



TYPE II SIGNAL STANDARD



POLE ORIENTATION AND E1 ATTACHMENT POINT DETAIL



CRFB ALTERNATIVE INSTALLATION

SIGN HEIGHTS		
DIM.	≤ 35 MPH	≥ 40 MPH
F1	8'-6"	7'-0"
F2	10'-0"	8'-6"

SIGNAL STANDARD DETAIL CHART

STD. No.	SR No.	SR MILE POST	FIELD LOCATION						POLE TYPE	MOUNTING HEIGHT (FT)	SIGNAL MAST ARM DATA				CALCULATED POLE XYZ (FT ³)	ATTACHMENT POINT ANGLES (DEGREES)	FOUNDATION DESIGN XYZ (FT ³)	SOIL BEARING PRESSURE (PSF)	FOUNDATION DEPTH (FT)					REMARKS		
			STATION	OFFSET	LT.	RT.	ELEV.*	P.O.A.			OFFSETS (FT) (Z)		WINDLOAD AREAS (FT ²) (X)(Y)						ALTERNATE 1		ALTERNATE 2					
											B1	B2	B1	B2					3' RD.	3' SQ.	4' RD.	3' RD.	4' RD.			
0	000	000.00	000+00	000	X	X	000.00	000	II	19	00	00	22.5	22.5	0000	0	000	0000	0000	00	00	00	00	00	00	SAMPLE TEXT

*ELEVATION IS TO TOP OF FOUNDATION. FIELD VERIFY ELEVATION PRIOR TO ORDERING SIGNAL STANDARDS.

SEE SHEET 2 FOR NOTES AND OVERHEAD SIGN ASSEMBLY DETAILS

FILE NAME: E:\PSL\IS-13\IS-13B.DGN	TIME: 2:19:49 PM	DATE: 8/15/2018	PLOTTED BY: liddelf	DESIGNED BY:	ENTERED BY:	CHECKED BY:	PROJ. ENGR.:	REGIONAL ADM.:	REVISION:	DATE:	BY:	REGION NO.:	STATE:	FED.AID PROJ.NO.:	10	WASH	JOB NUMBER:	CONTRACT NO.:	LOCATION NO.:	DATE:	P.E. STAMP BOX:	DATE:	P.E. STAMP BOX:	Washington State Department of Transportation	Plot 1	PLAN REF NO. IS-13B	SHEET 1 OF 2 SHEETS
------------------------------------	------------------	-----------------	---------------------	--------------	-------------	-------------	--------------	----------------	-----------	-------	-----	-------------	--------	-------------------	----	------	-------------	---------------	---------------	-------	-----------------	-------	-----------------	---	--------	---------------------	---------------------

