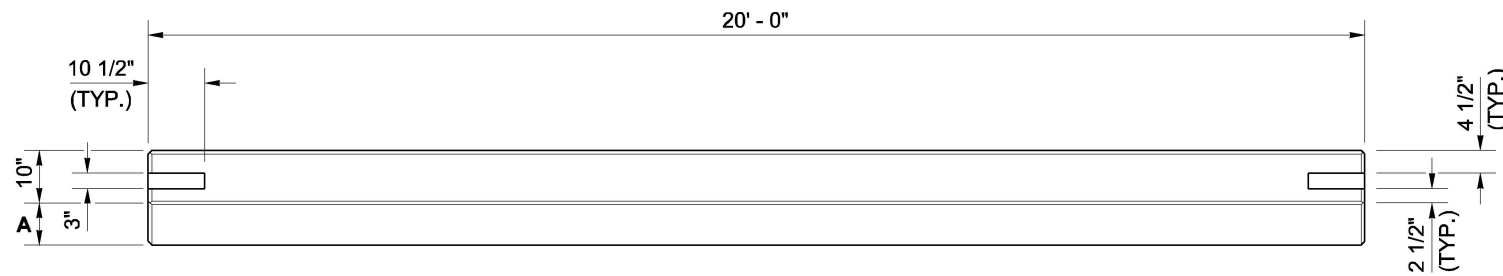
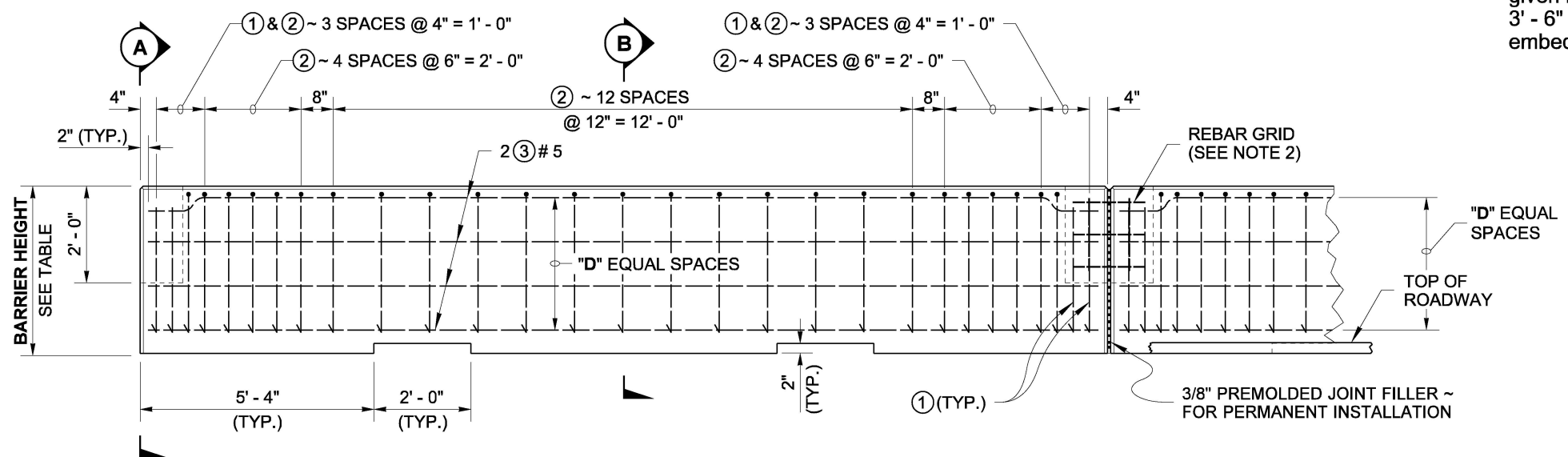


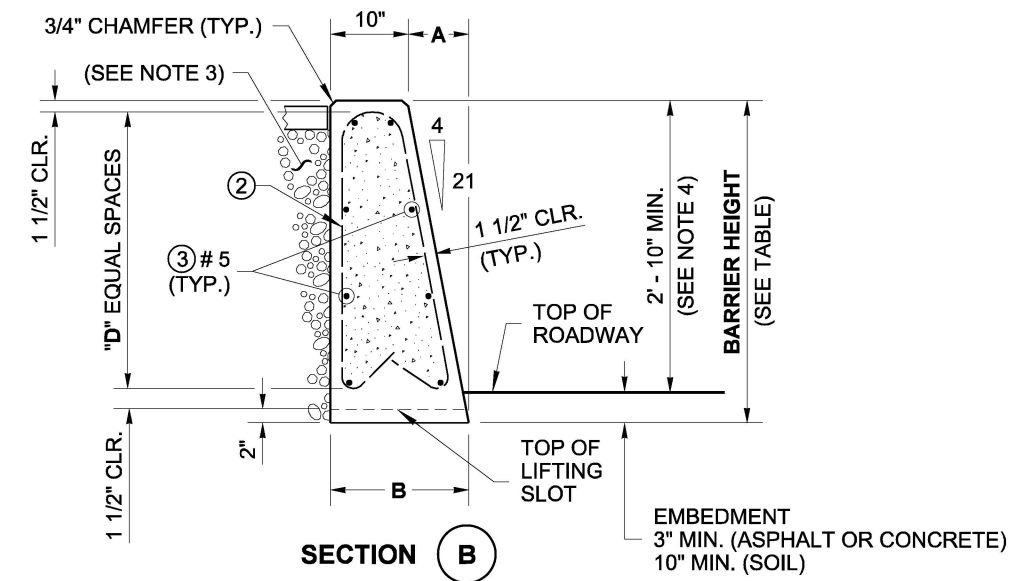
DRAWN BY: FERN LIDDELL



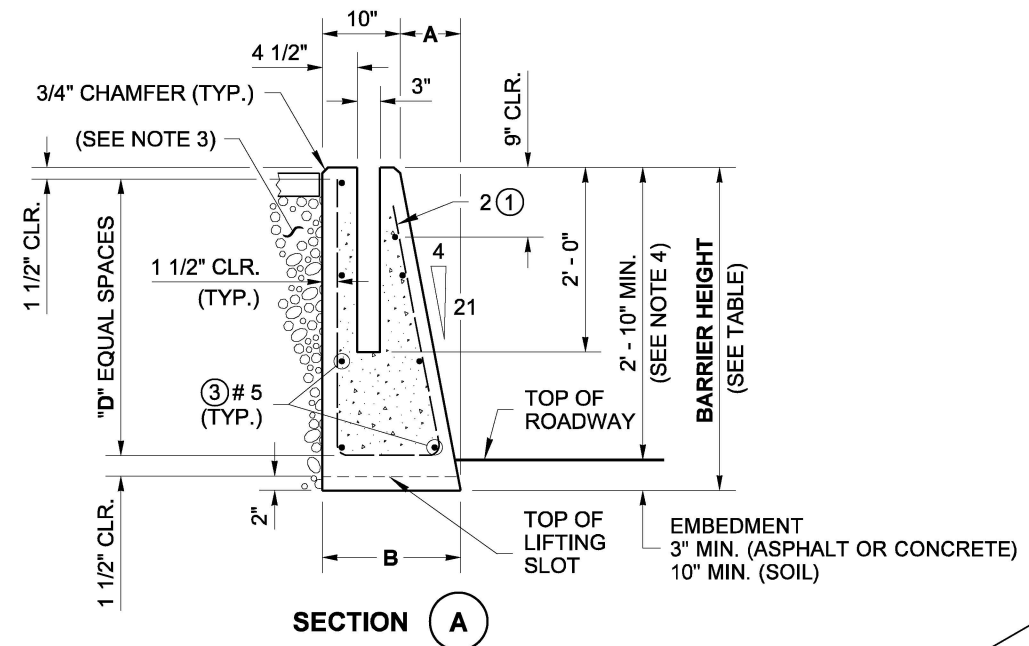
PLAN



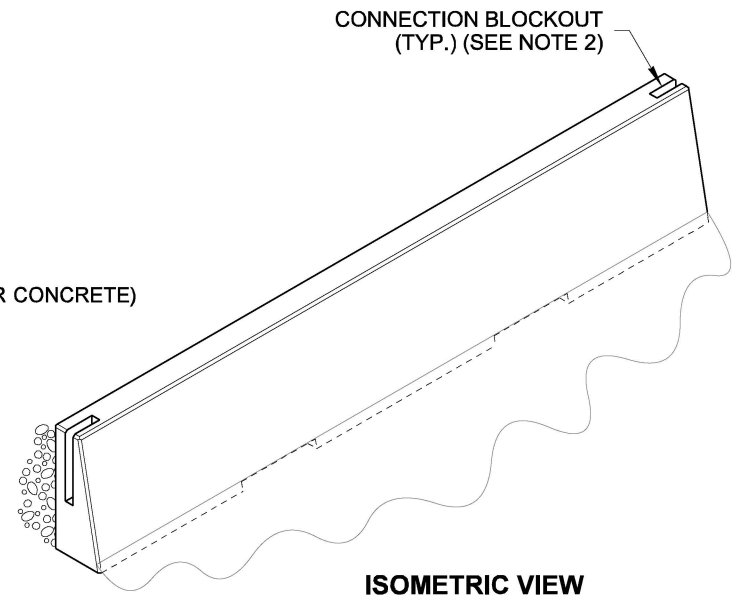
ELEVATION



SECTION B



SECTION A

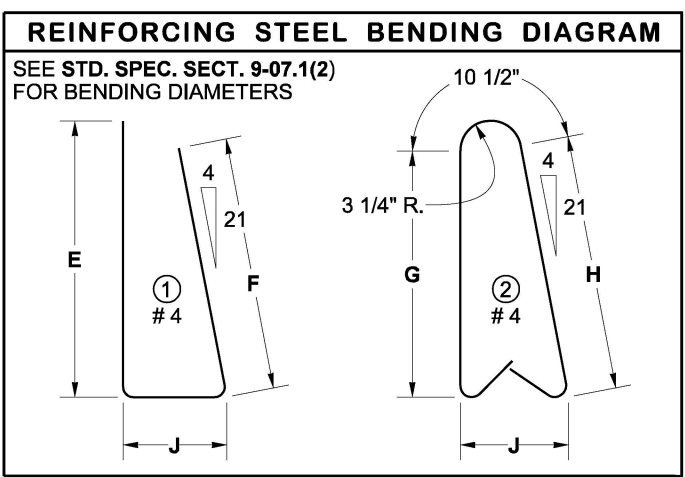


ISOMETRIC VIEW

NOTES

1. PERMANENT INSTALLATION requirements: Embed barrier 3" (in) minimum in asphalt or concrete; Embed barrier 10" (in) minimum in compacted soil; Install 3/8" (in) Premolded Joint Filler between segments; fill the Connection Blockout with grout, centering the Rebar Grid in the blockout before adding grout.
2. See **Standard Plan C-70.10** for REBAR GRID DETAIL and BARRIER CONNECTION DETAIL.
3. Vertical Back Barrier is used only in the configurations shown in **Standard Plans C-85.10** and **C-85.20**, and when placed against a retaining wall.
4. When **High-Performance Concrete Barrier** is specified in the Contract, use the dimensions given in the H/P row in the DIMENSION TABLE, with a minimum height above roadway of 3' - 6" and a minimum embedment of 3" (in) in asphalt or concrete, or 10" (in) minimum embedment in compacted soil.

NOTE:
STEEL WELDED WIRE REINFORCEMENT DEFORMED FOR CONCRETE MAY BE SUBSTITUTED FOR REINFORCING STEEL IN ACCORDANCE WITH **STANDARD SPECIFICATION, SECTION 6-10.3**



DIMENSION TABLE										(SEE NOTE 4)
	BARRIER HEIGHT	A	B	D	E	F	G	H	J	HORIZONTAL BARS (QTY.)
STD.	3' - 6"	8"	1' - 6"	3	3' - 0"	2' - 8 1/2"	2' - 8"	2' - 9 1/2"	1' - 2"	8
H/P	4' - 0"	9 1/8"	1' - 7 1/8"	4	3' - 6"	3' - 2 1/2"	3' - 2"	3' - 3 1/2"	1' - 3"	10



Aug 17, 2021

SINGLE-SLOPE CONCRETE BARRIER (PRECAST) VERTICAL BACK
STANDARD PLAN C-75.20-03

SHEET 1 OF 1 SHEET

APPROVED FOR PUBLICATION

 Aug 20, 2021
 STATE DESIGN ENGINEER
 Washington State Department of Transportation