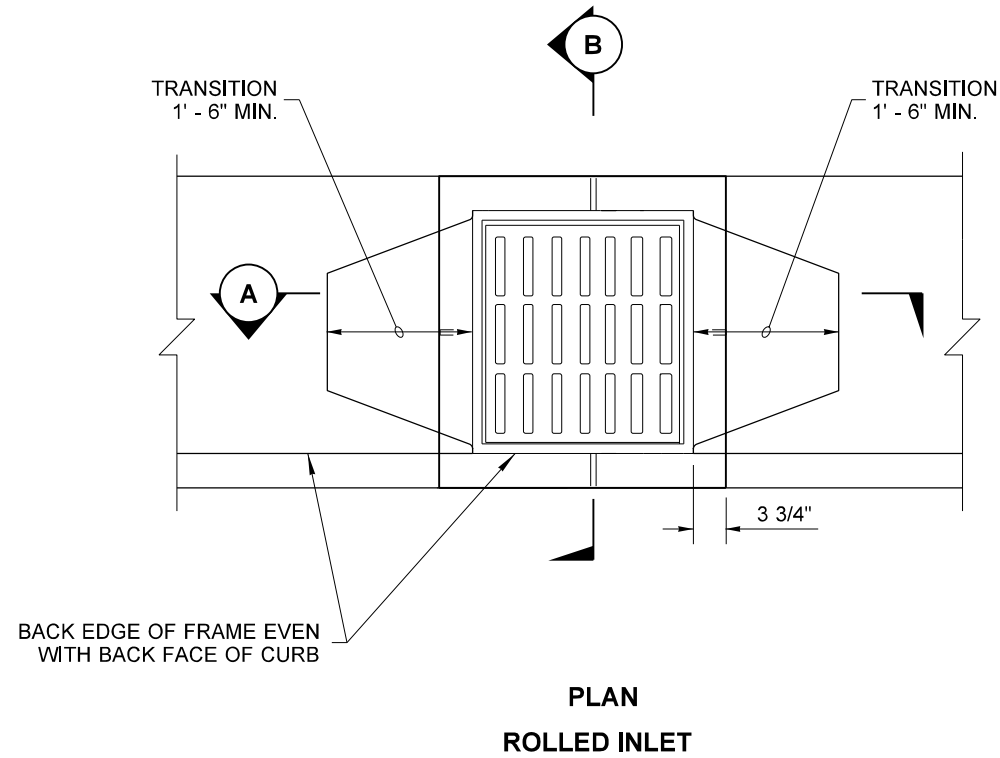
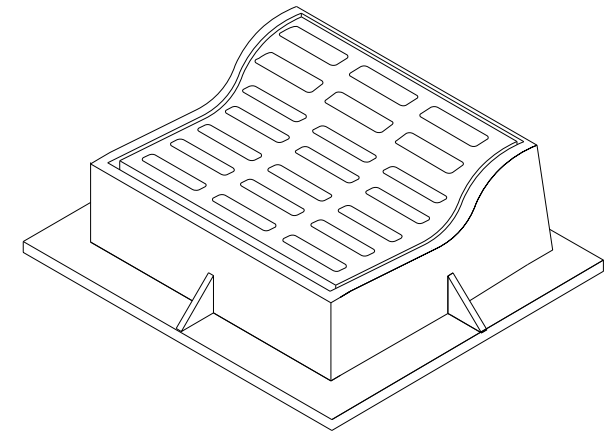


DRAWN BY: FERN LIDDELL

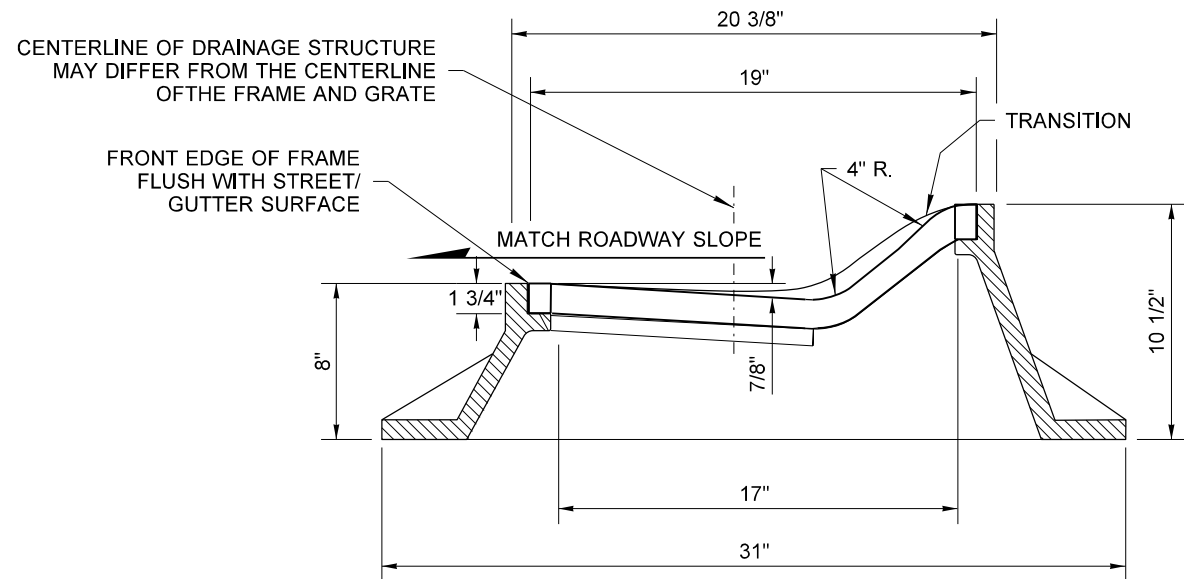


NOTES

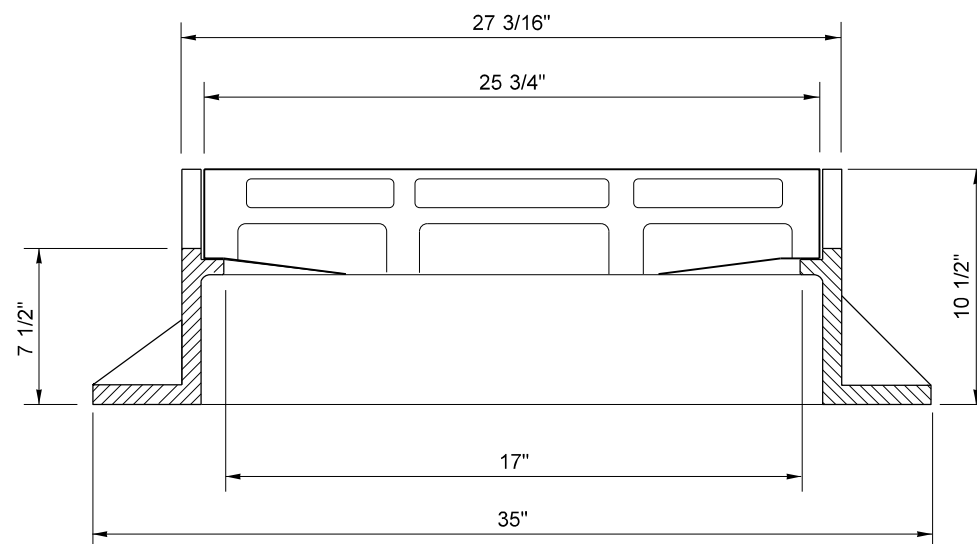
1. Bolt down capability is required on all frames, grates, and covers, unless specified otherwise in the contract. Provide 2 holes in the frame that are vertically aligned with the grate or cover slots. The frame shall accept the 304 Stainless Steel (S.S.) 5/8" (in) - 11 NC x 2" allen head cap screw by being tapped, or other approved mechanism. Location of bolt-down holes varies by manufacturer.
2. Refer to **Standard Specification, Section 9-05.15** and **9-05.15(2)** for additional requirements.
3. For Adjustment Section Details ~ See **Standard Plan B-30.90**.
4. Size and dimensions of drains vary by Manufacturer, but open area shall be 1.5 square feet minimum.



ISOMETRIC VIEW



SECTION A



SECTION B



Julie Heilman Julie Heilman
2020.09.01 07:51:27 -07'00'

ROLLED CURB DRAIN

STANDARD PLAN B-30.05-00

SHEET 1 OF 1 SHEET

APPROVED FOR PUBLICATION

Roark, Steve Digitally signed by Roark, Steve
Date: 2020.09.09 09:49:15 -07'00'

STATE DESIGN ENGINEER

Washington State Department of Transportation