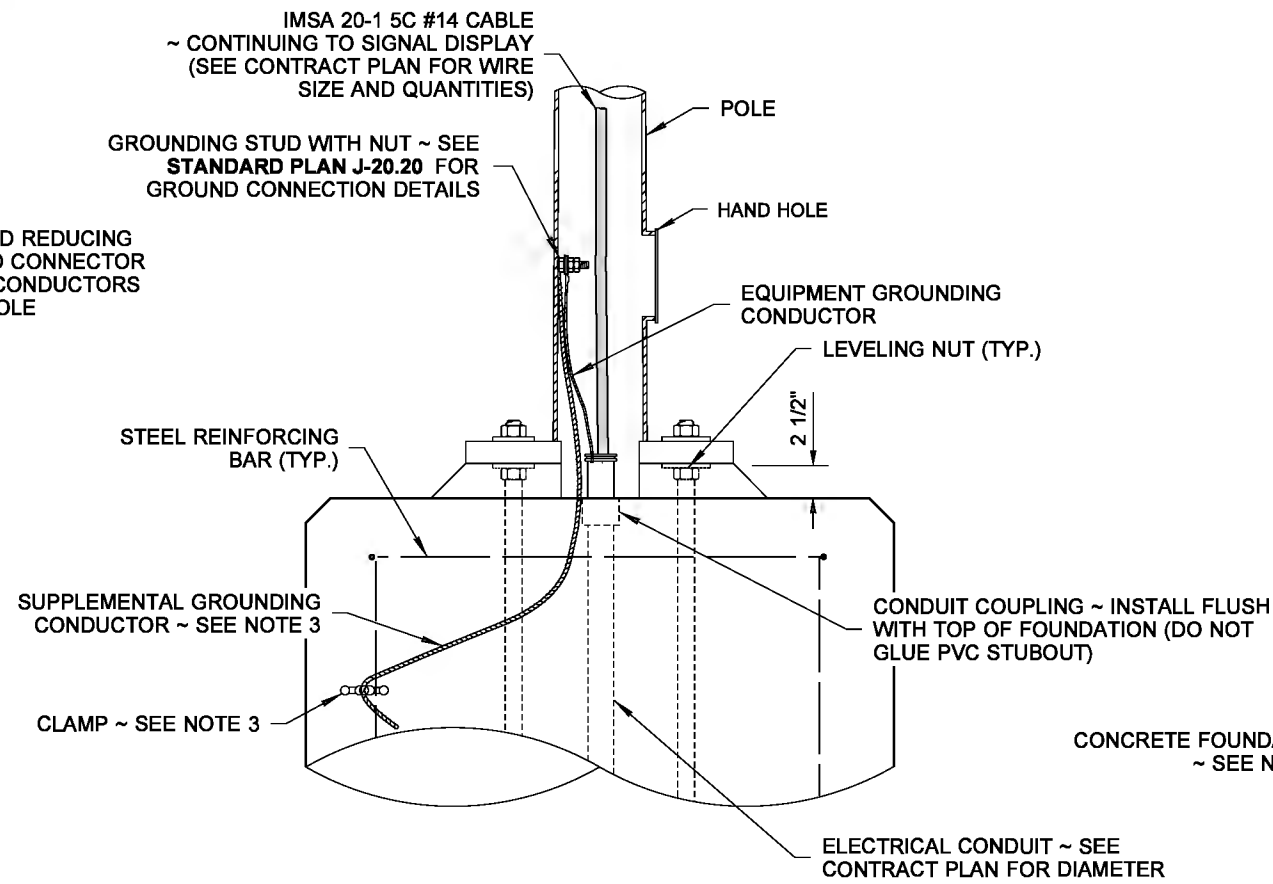


SIGNAL WIRING DETAIL

TERMINAL NUMBER	MARK	DEFINITION
6*1	R	RED DISPLAY
6*2	O	AMBER DISPLAY
6*3	G	GREEN DISPLAY
6*4	B	SPARE CONDUCTOR
6*6	W	NEUTRAL CONDUCTOR

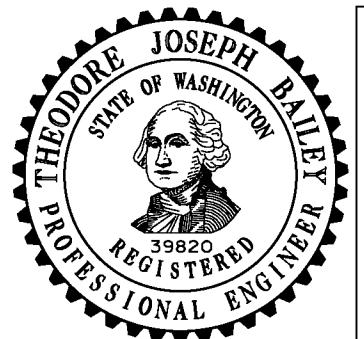
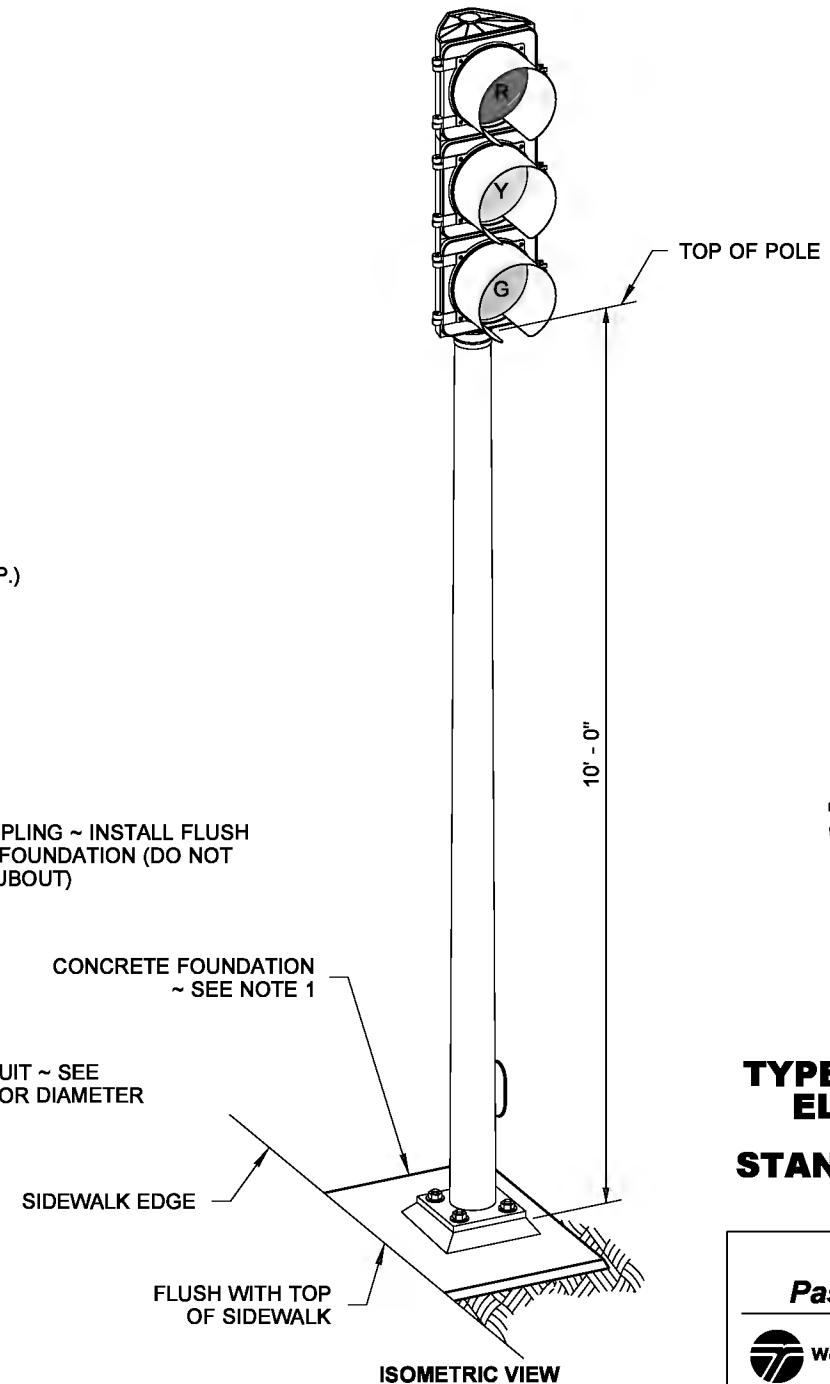
\* ASSOCIATED PHASE NUMBER



FOUNDATION WIRING DETAIL

NOTES

1. See **Standard Specification 9-29.3** for Cable Conductor requirements.
2. See **Standard Plan J-21.10** for Signal Standard Foundation with Fixed Base and Slip Base details.
3. Supplemental Grounding Conductor shall be non-insulated #4 AWG stranded copper, provide 3' - 0" min. slack. Clamp to steel reinforcing bar with connector suitable for use embedded in concrete.
4. Heat shrink cap all spare conductors not terminated on a terminal strip.
5. When a Pedestrian Push Button is specified in contract plans, see **Standard Plan J-20.20** for details.
6. Provide Cable Tie at wiring entering the Junction Box (for Slip Base installations only) ~ See **Detail A, Standard Plan J-28.70**.



NOTE: THIS PLAN IS NOT A LEGAL ENGINEERING DOCUMENT UNLESS IT IS THE ORIGINAL, SIGNED BY THE ENGINEER AND PROJECT OR FILED AT THE WASHINGTON STATE DEPARTMENT OF TRANSPORTATION. A COPY MAY BE OBTAINED UPON REQUEST.

**TYPE 1 SIGNAL STANDARD ELECTRICAL DETAILS**

**STANDARD PLAN J-21.20-01**

SHEET 1 OF 1 SHEET

APPROVED FOR PUBLICATION

**Pasco Bakotich III** 6/10/13

STATE DESIGN ENGINEER DATE

