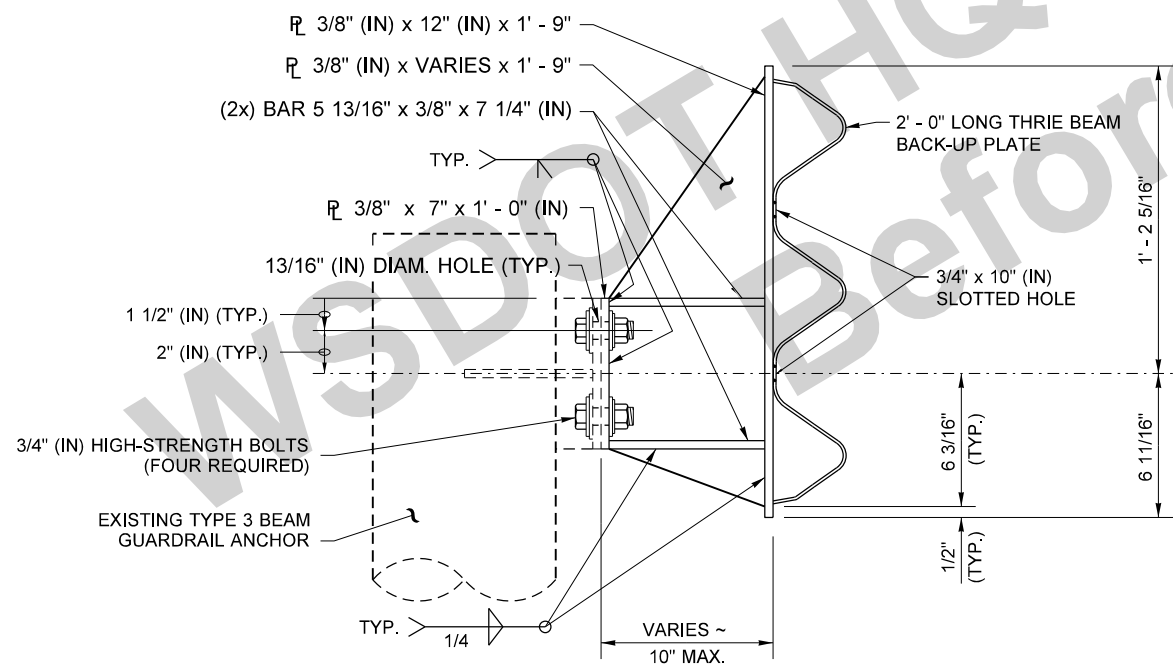
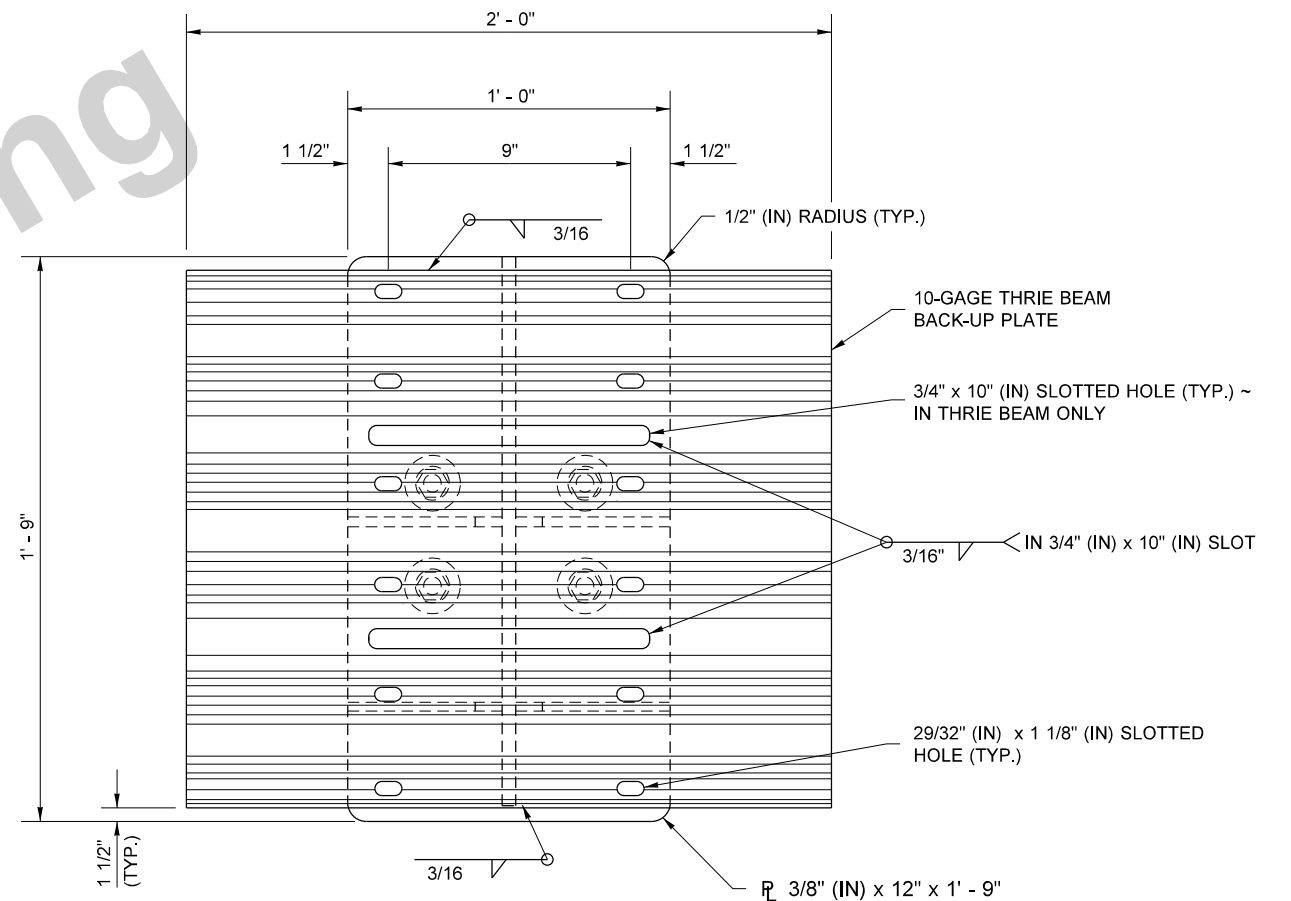


PLAN VIEW



SECTION A

(DESIGN A)



SECTION B

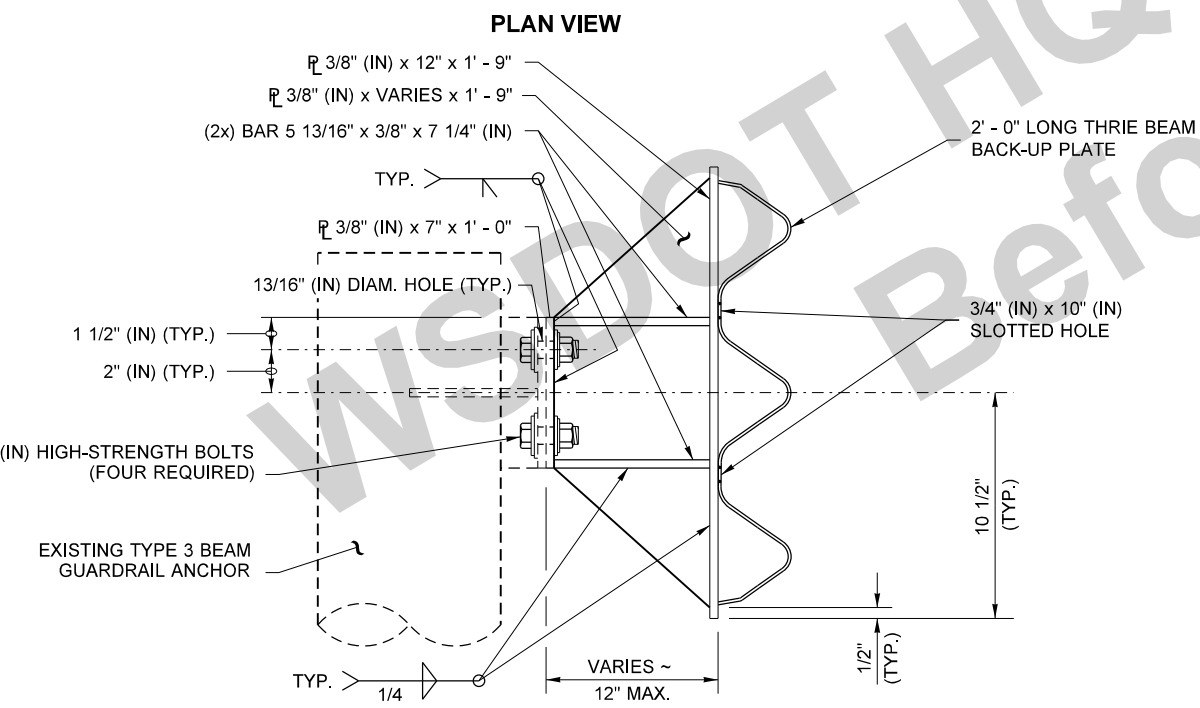
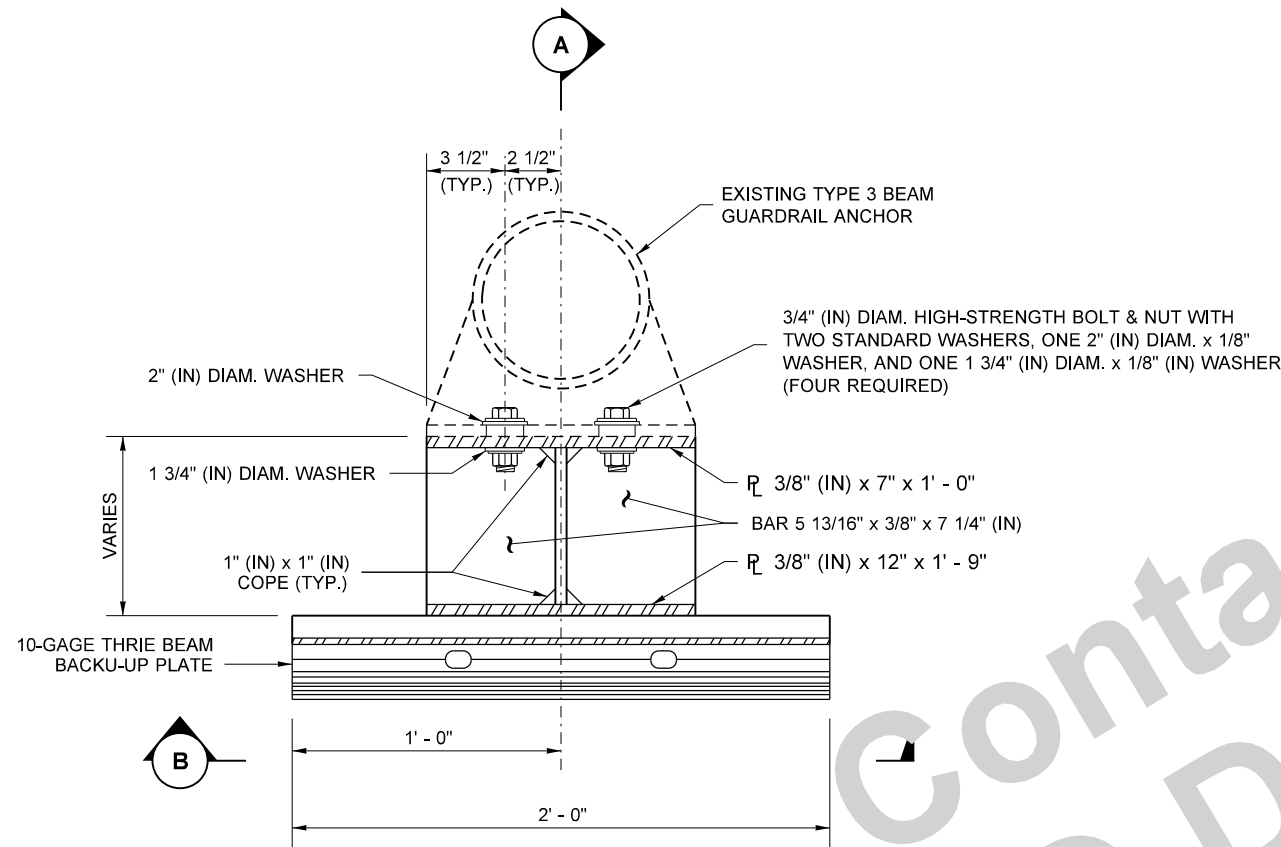
NOTES

- Material Specifications:
Steel shapes & plates **ASTM A36 or ASTM A992**
Bolts, nuts & washers unless otherwise noted **Standard Specifications Section 9-16.8(1)**
- All steel posts and plates shall be galvanized in accordance with **AASHTO M111** after fabrication. bolts and hardware shall be galvanized in accordance with **AASHTO M 232**.
- All bolt holes shall be 1/16" larger than the bolt diameter unless otherwise specified. Bolt lengths not shown shall be sized to provide a 1/4" (in) min. of thread exposed beyond the nut.
- Dimensions shall be measured in the field by the contractor prior to fabrication of any components.

FILE NAME		S:\Design R P & S\4-Standards\2-Plan Sheet Library\01-Master PSL\TB\Traffic Barrier\TB-50 Type 3 Guardrail Anchor Retrofit for Thrie Beam\TB-50.dgn		REGION NO.		STATE		FED.AID PROJ.NO.		Plot 1	
TIME		8:52:45 AM		10		WASH				PLAN REF NO	
DATE		6/21/2022								TB-50	
PLOTTED BY		liddelf								SHEET	
DESIGNED BY										1	
ENTERED BY										OF	
CHECKED BY										2	
PROJ. ENGR.										SHEETS	
REGIONAL ADM.				CONTRACT NO.		LOCATION NO.		DATE		DATE	
REVISION		DATE		BY				P.E. STAMP BOX		P.E. STAMP BOX	

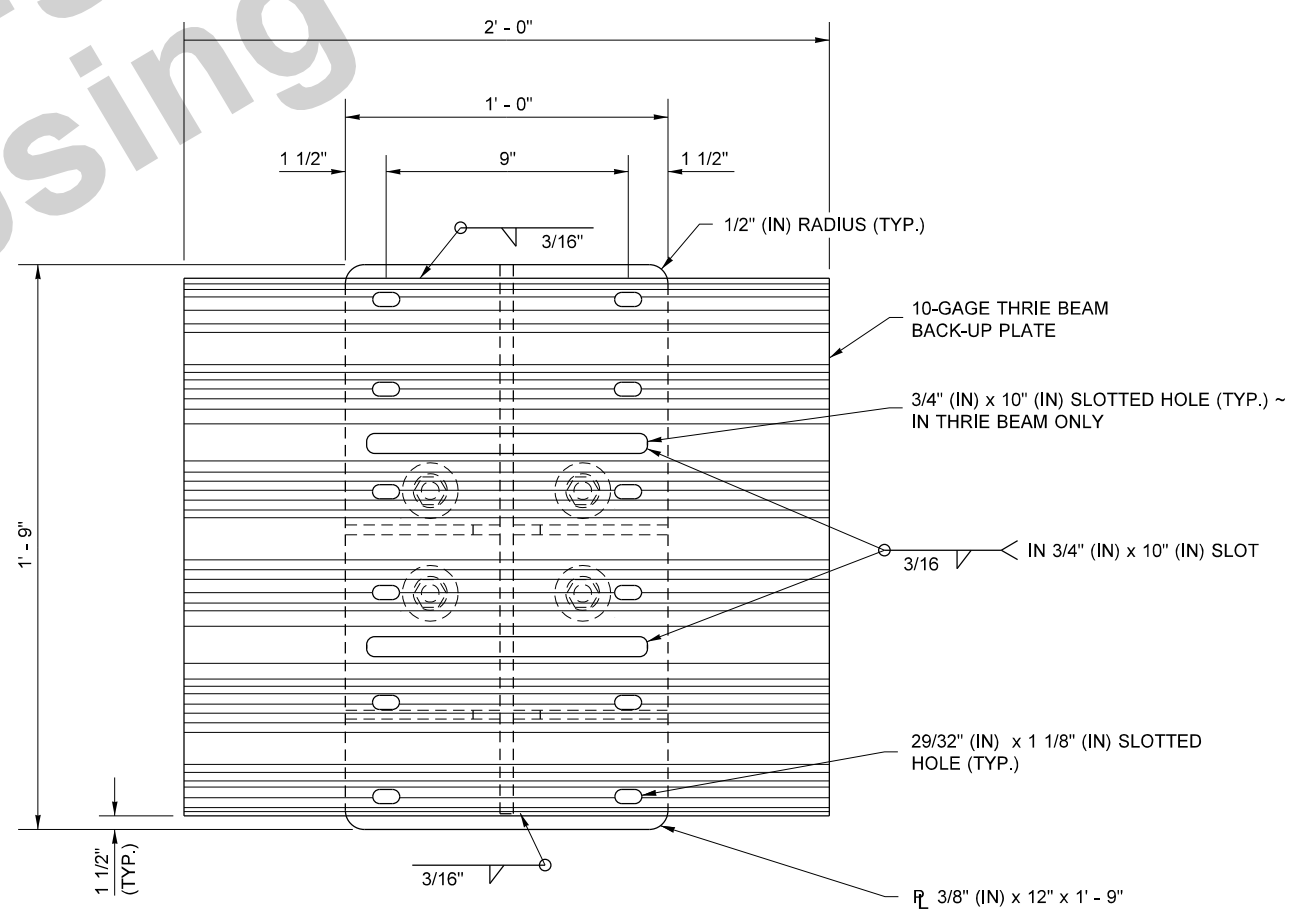


**TYPE 3 GUARDRAIL ANCHOR
RETROFIT
FOR THRIE BEAM**



SECTION A

(DESIGN B)



SECTION B

NOTES

- Material Specifications:
 - Steel shapes & plates **ASTM A36 or ASTM A992**
 - Bolts, nuts & washers unless otherwise noted **Standard Specifications Section 9-16.8(1)**
- All steel posts and plates shall be galvanized in accordance with **AASHTO M111** after fabrication. bolts and hardware shall be galvanized in accordance with **AASHTO M232**.
- All bolt holes shall be 1/16" (in) larger than the bolt diameter unless otherwise specified. Bolt lengths not shown shall be sized to provide a 1/4" (in) min. of thread exposed beyond the nut.
- Dimensions shall be measured in the field by the contractor prior to fabrication of any components.

FILE NAME		S:\Design R P& S\4-Standards\2-Plan Sheet Library\01-Master PSL\TB\Traffic Barrier\TB-50 Type 3 Guardrail Anchor Retrofit for Thrie Beam\TB-50.dgn		REGION NO.		STATE		FED.AID PROJ.NO.		Plot 2	
TIME		9:06:27 AM		10		WASH				PLAN REF NO	
DATE		6/21/2022								TB-50	
PLOTTED BY		liddelf		JOB NUMBER						SHEET	
DESIGNED BY				CONTRACT NO.		LOCATION NO.				2	
ENTERED BY										OF	
CHECKED BY										2	
PROJ. ENGR.										SHEETS	
REGIONAL ADM.		REVISION		DATE		BY		P.E. STAMP BOX		DATE	



**TYPE 3 GUARDRAIL ANCHOR
RETROFIT
FOR THRIE BEAM**